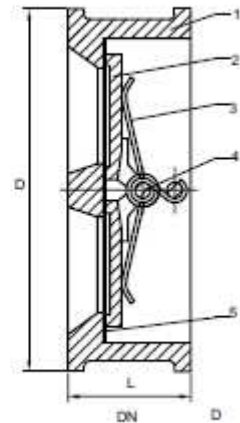
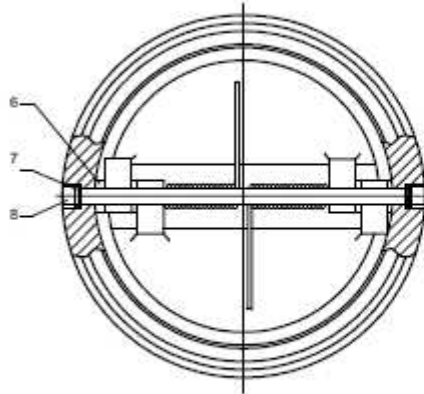


CLAPET ANTI RETOUR TYPE A DOUBLE BATTANT RACI 7401



◆ Dimensions

DN		D		L
MM	IN	Pn10	Pn16	
40	1.5"	78	43	
50	2"	107	43	
65	2.5"	127	46	
80	3"	142	64	
100	4"	162	64	
125	5"	192	70	
150	6"	218	76	
200	8"	273	89	
250	10"	328	114	
300	12"	378	383	114
350	14"	438	444	127
400	16"	489	495	140
450	18"	539	555	152
500	20"	594	617	152
600	24"	695	734	178
700	28"	807	802	229
800	32"	917	912	241
900	36"	1044	1012	241
1000	40"	1122	1126	254

◆ Description

- 1.Design standard: API594.
- 2.Flange fitting between: DIN2501 PN10/16.
- 3.Face to Face : DIN3202 K3(EN558-1).
- 4.Working pressure:1.6Mpa.
- 5.Pressure test according to API598.

◆ Material of Structure

No.	Part	Number	Material
1	Body	1	GG25/GGG40/CF8M
2	Disk	2	CF8M/GGG40/C954
3	Spring	2	S.S304/S.S316
4	Shaft	2	S.S316/S.S304
5	Seat	1	EPDM/NBR/VITON
6	Washer	4	PTFE/NILON
7	Sealing	4	NBR
8	Nut	4	CARBON STEEL/C954



• LOT N°10 CITE EL HAMIZ 04 DAR EL BEIDA ALGER

• E-MAIL: ALFA.ACCESSOIRES@GMAIL.COM

• TEL: 021 87 75 30 • FAX: 021 87 75 32 • MOB: 0550 48 45 31